

BMP-265E

Scarifying machine

Technical data

Working width	Ø 265mm
Scarifying capacity	Up to 120m ² /h on concrete
Motor power:	5,5kW / 400V - 50Hz / 16A - Three phase
Working speed	1500 rpm
Weight	175 kg
Dimensions L / W / H	1260mm / 500mm / 1160mm
Drive system / speed	Manual / N/A
Push / Pull machine	Push
Surface	Concrete / Stone / Asphalt

Options



BDC-317

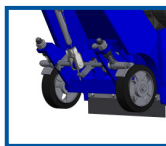
Options / Accessories

Dustcollector	BDC-1330 / BDC-317
Drum complete with original cutters	MPD265SL272S
Drum complete with milling cutters	MPD265SL75S
Drum complete with full TC milling cutters	MPD265SL60S
Refill kit with original cutters	MPL272SL265
Refill kit with milling cutters	MPL75SL265
Refill kit with full TC milling cutters	MPL60SL265
15m Suction hose Ø76	005014
Personal safety features	On request / See manual



MPD265SL272S
Scarifying drum

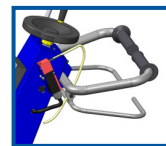
The innovators in surface preparation!!!!



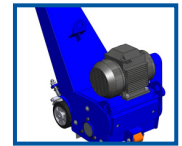
Brake system



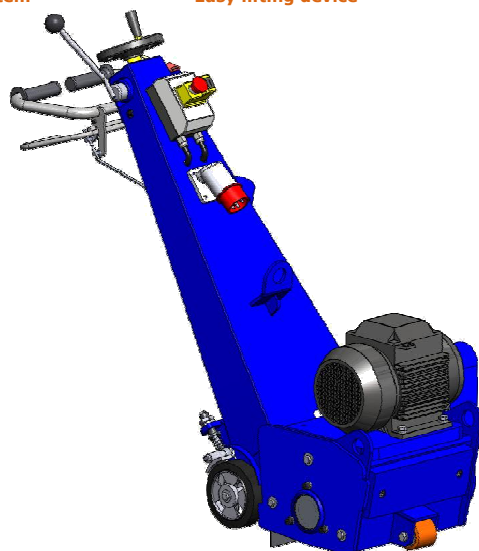
Easy lifting device



Handbrake



lifting points



Main assets

- ❖ Closed circuit which is almost dust free, when connected to an appropriate Blastrac dust collector.
- ❖ Heavy weight for increased scarifying performances
- ❖ New braking system with handle. During scarifying, the machine slows down itself. Brake force is easily changed with handle on steer.
- ❖ Extra heavy drum, for more down force.
- ❖ Adjustable braking device, lateral drum loading
- ❖ Micrometric and memorized adjustment of the working depth: no underground deterioration and more precision.
- ❖ User friendly design, comfortable to use with low vibrations, easy to manoeuvre.
- ❖ Several optional cutting tools for each different application.